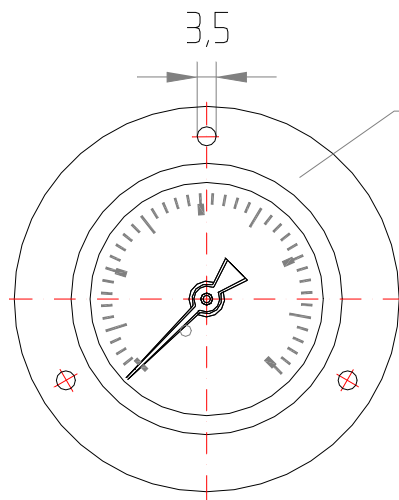
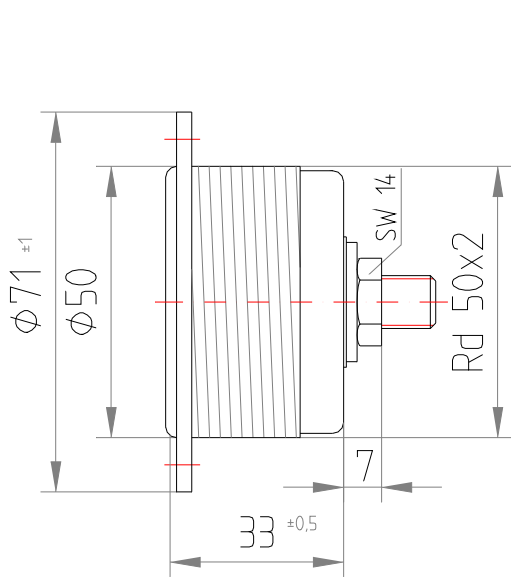


chromium plated flange

F+R 106

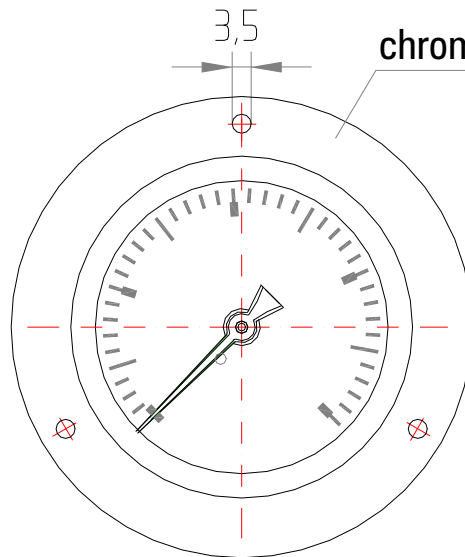
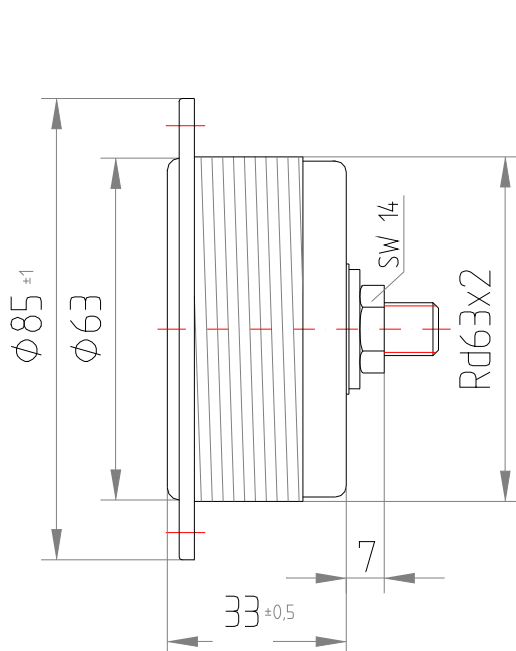
$\phi 40$ mm



chromium plated flange

F+R 106

$\phi 50$ mm



chromium plated flange

F+R 106

$\phi 63$ mm